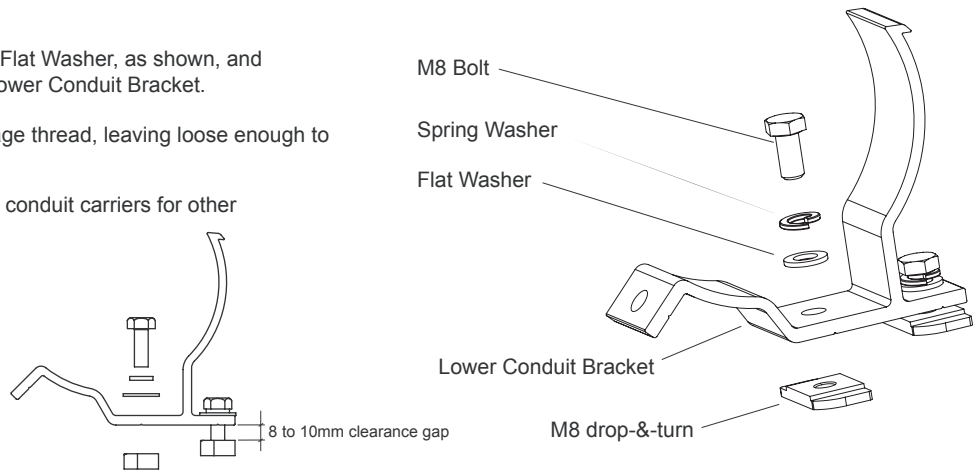


STEP 1: Assembling Bolt Retainer Into Heavy-Duty Crossbar.

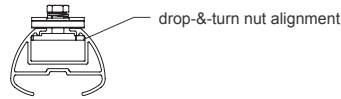
- A. Place M8 Bolt through M8 Spring Washer & Flat Washer, as shown, and into the bolt hole, on the upper face of the Lower Conduit Bracket.
- B. Hand screw bolt into M8 drop-&-turn to engage thread, leaving loose enough to slide into the crossbar.
- C. Repeat this process for each pair of bolts on conduit carriers for other cross bars.



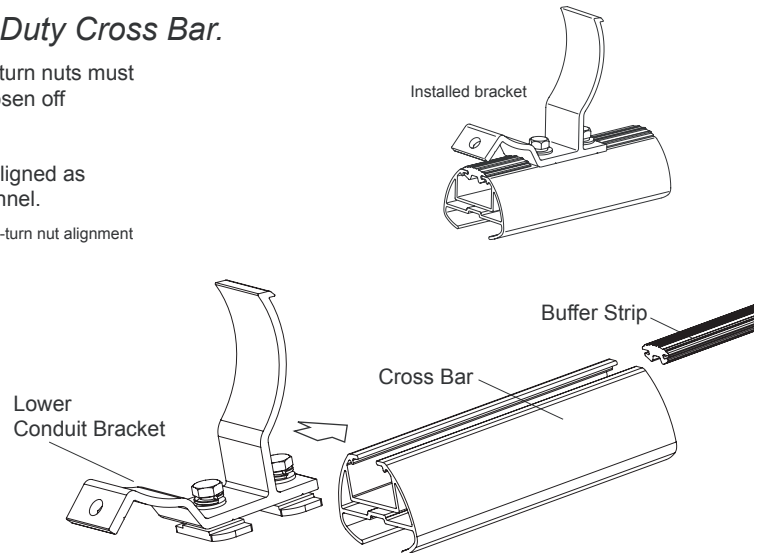
STEP 2: Assembling Conduit Carrier onto Heavy-Duty Cross Bar.

- A. Slide Lower Conduit Bracket into upper channel of cross bar - the drop-&-turn nuts must travel **INSIDE** the channel. If there is a tight fit when sliding in bracket, loosen off bolts by 1 or 2 turns.

NOTE: When mounting to heavy duty bars, ensure drop-&-turn nuts are aligned as shown - i.e. notched grooves must run parallel with internal edges of channel.



- B. Repeat "Step 2: A" for each Lower Conduit Bracket that you are fitting to your roof racks.
- C. Align all Lower Conduit Bracket with each other. You may wish to test this by temporarily placing the Conduit Carrier into the brackets. Reposition brackets as required.
- D. Tighten **all bolts** securely with a **13mm Spanner**.



STEP 3: Conduit Carrier.

- A. Fit Conduit carrier onto Lower Conduit Bracket.
- B. Fit Upper Conduit Bracket over Conduit Carrier. Making sure that it is inter-locking into lower bracket.
- C. With M8x25 Bolt & M8 Flat Washer assembled. Place Bolt through hole. Tighten Using M8 Lock Nut with M8 Flat Washer till the Conduit Carrier is fixed firmly.

